



RDL[®]
Radio Design Labs

SPECIALISTS IN PRACTICAL PRECISION ENGINEERING™

TWISTED PAIR FORMAT-A



Models D-TPS2AM, DS-TPS2AM, DB-TPS2AM Active Two-Pair Sender XLR Microphone & Stereo Mini-jack In

- Balanced Microphone XLR Input with Phantom
- Switch-Selectable Mic Gain on Rear Panel
- Mini-jack -10 dBV Stereo Line Input Summed to Mono
- MIC Feeds Pair A; Mini-jack Feeds Pair B
- Remote Powering through Twisted Pair Cable
- Fused Local Power Feeds all Connected Modules
- Local Power Input on Terminal Block
- Blue LED Indicates Module is Powered
- Utilizes Two Format-A Pairs
- Studio-Quality Precision Active Balanced Circuitry

The D SERIES-TPS2AM modules are two-pair audio sending modules compatible with RDL Format-A twisted pair products. These modules are designed to be mounted in wall boxes, cabinets or other enclosures that allow users to connect audio sources. The -TPS2AM models mount in RDL WB-1U and WB-2U wall boxes, or in standard U.S. electrical boxes. The D-TPS2AM features a white front-panel laminate with gray lettering that matches RDL Decora®-style remote controls. The DB-TPS2AM features a black front-panel laminate. The DS-TPS2AM is constructed of stainless steel to coordinate with RDL Decora-style stainless steel remote controls in commercial/industrial installations.

APPLICATION: The D SERIES-TPS2AM modules feature an XLR microphone input and a stereo Mini-jack input summed to mono. The unbalanced Mini-jack inputs are designed to receive standard -10 dBV consumer level signals. The microphone input provides 24 Vdc IEC phantom voltage and accepts both dynamic and condenser microphone signals. The input signals are amplified using studio-quality preamplifiers optimized for normal operating levels. A rear-panel GAIN switch is provided to set the amplification of the microphone preamplifier. This switch is normally set by the installer for NORM (normal) gain. If consistently low mic levels are expected, this switch may be set to the HIGH gain position. The pre-amplified microphone source is routed to pair A. The buffered Mini-jack input is routed to output cable pair B.

These modules drive only two cable pairs, therefore they accept a signal and power from one mic-level or line-level Format-A single-pair sender. The -TPS2AM modules have a second RJ45 jack for an input cable. One single-pair sender may be chained with the -TPS2AM. A single-pair sender must be set to feed pair C if it is connected together with the -TPS2AM. The power pair and all three audio pairs are fed through both rear-panel RJ45 jacks.

The D SERIES-TPS2AM may be powered directly from a 24 Vdc power supply using the rear-panel detachable terminal block. Local power connected to the module is also fed to all connected remote modules. The -TPS2AM may be remotely powered through the twisted pair cable from any other module, signal distributor or RDL power inserter connected to the same twisted pair cable. Module power is indicated by a front-panel LED.

RDL FORMAT-A features superior audio performance that rivals or exceeds shielded wiring. Design simplicity, ease of installation, unsurpassed flexibility, automatic fused power, exceptional hum rejection, low noise, and low distortion provide designers and installers the optimum choice in economical twisted pair products.



FORMAT-A TWISTED PAIR Models D-TPS2AM, DB-TPS2AM, DS-TPS2AM Format-A Two-Pair Senders

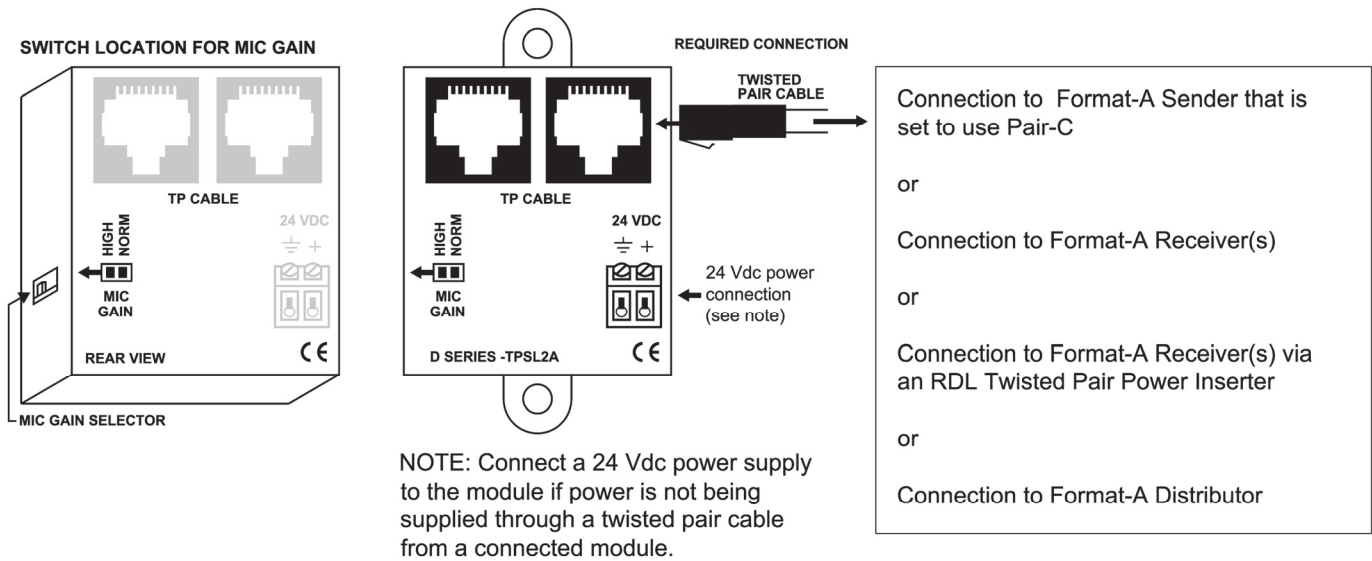
Installation/Operation

Declaration of Conformity available from rdlnet.com.
Sole EMC specifications provided on product package.
Specifications are subject to change without notice.

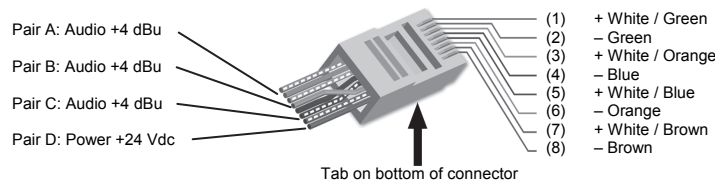
STEP 1: Set the MIC gain switch to NORM (normal gain) unless consistently low mic level signals are expected. Set the MIC gain switch to HIGH if low levels are always expected. Note: If both normal and low level mic signals are expected, the gain should be set to NORM to avoid clipping when high levels are connected. The pre-amplified microphone source is routed to pair A. The summed left and right line-level inputs are routed to output cable pair B. A single-pair sender must be set to feed pair C if it is connected together with the -TPS2AM.

STEP 2: Connect 24 Vdc to the power input terminals if this module is not being powered through the twisted pair cable from another module, or if this module is located an excessive distance from the next powered module on the cable. Note: The front-panel power LED will be illuminated if this module is powered. If this module is powering other modules through the cable and if there is a wiring short, the short must be cleared then power must be turned off to this module for 10 seconds to reset the internal protection circuit.

STEP 3: Connect the twisted pair cable(s) and fasten the module in its mounting box.



RJ45 Standard wiring



RJ45 conductor colors shown are for 568A standard. The 568B standard may be used if the connectors at both ends of the cable are wired identically.

TYPICAL PERFORMANCE

Input Connection: Mic: XLR; Line: 3.5mm Mini-jack
 Input Level: Mic: -45 to -65 dBu Balanced; Maximum: -40 dBu (HIGH Gain), -28 dBu (NORM Gain); Line: -10 dBV Unbal.; +8 dBV Max
 Format-A Signal Pairs Used (2): A (Mic); B (Unbal Line inputs, summed to mono)
 Gain: Mic: 50 dB (NORM) or 63 dB (HIGH), Switch-selectable on rear panel; Line: 12 dB RDL TP Format-A
 Output: RJ45
 Output Connection: Mic: 100 Hz to 30 kHz (+/- 1 dB); integral low-cut filter -10 dB @ 30 Hz; Line: 20 Hz to 50 kHz (+/- 0.5 dB)
 Frequency Response: Mic: < 0.1% (80 Hz to 20 kHz); Line: < 0.05% (20 Hz to 50 kHz); < 0.005% (1 kHz)
 THD+N: Mic: < -80 dB (NORM Gain), < -70 dB (HIGH Gain); Line: < -95dB
 Noise below +4 dBu: Mic: < -80 dB (NORM Gain), < -70 dB (HIGH Gain); Line: < -95dB

Crosstalk: Line to Line: < 90 dB (1 kHz); < 75 dB (20 Hz to 20 kHz); Line to Mic (HIGH Gain): < 65 dB (1 kHz), < 60 dB (20 Hz to 20 kHz); Line to Mic (NORM Gain): < 75 dB (1 kHz), < 70 dB (20 Hz to 20 kHz) > 18 dB
 Headroom above +4 dBu: Mic: > 60 dB (HIGH Gain 50 Hz to 150 Hz), > 65 dB (NORM Gain 50 Hz to 150 Hz)
 CMRR: Power In
 Indicator: Detachable terminal block; RJ45
 Power Connections (2): 24 Vdc @ 65 mA plus connected loads
 Power Requirement: 1.6" (4.06 cm) W; 4.11" (10.45 cm) H; 1.89" (4.8 cm) D
 Dimensions: 2.4" (6.1 cm)
 Mounting Box Minimum Depth: 0° C to 55° C
 Ambient Operating Environment: