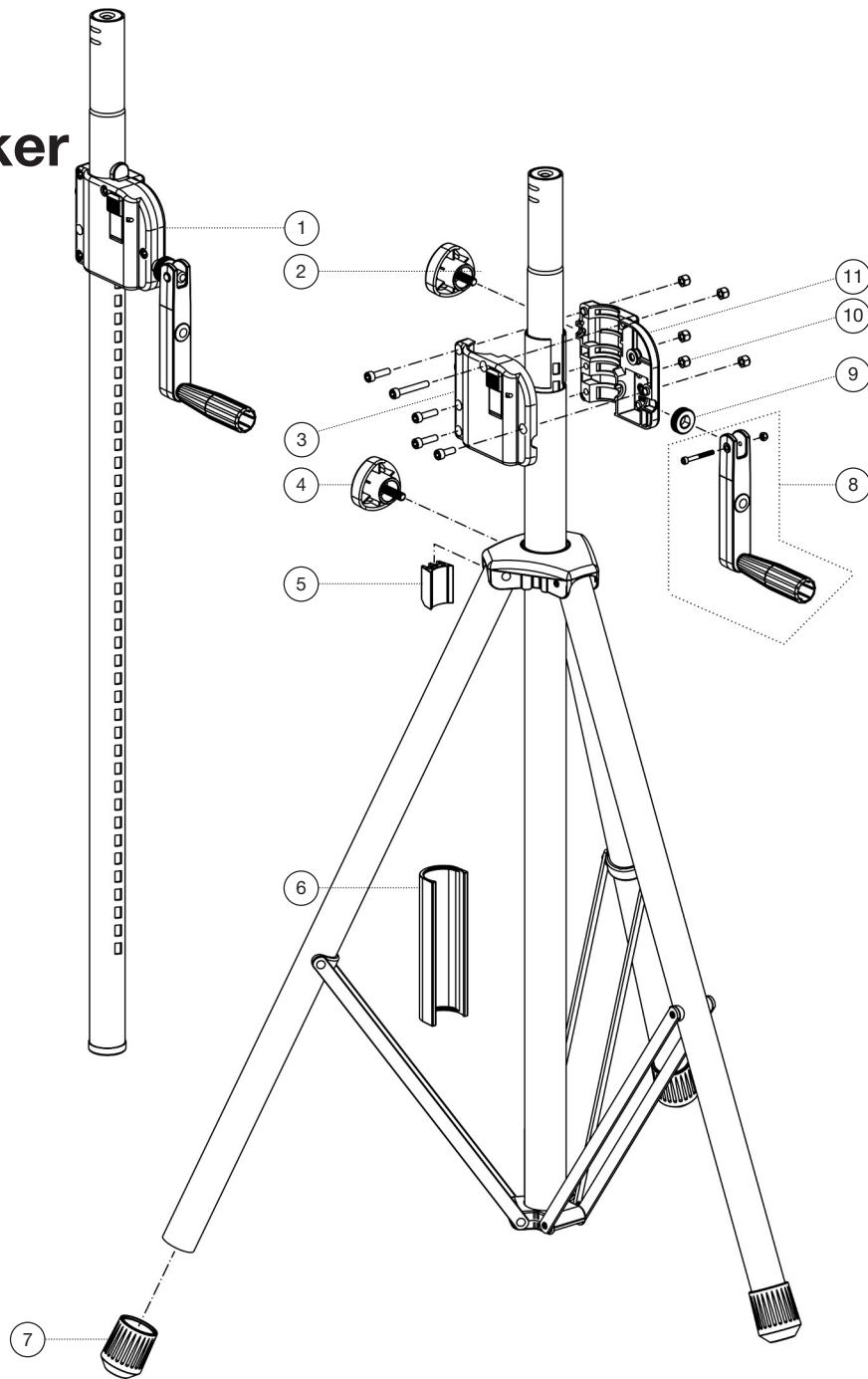


Spare parts list

213 Speaker stand

21300-009-55 - black

*Rev 06



Position	Description	Article No.	Quantity
1	Crank mechanism with extension tube complete	21304-000-55	1
2	Clamping screw with logo M8 x 16/33 mm	01-82-763-55	1
3	Housing half shell left complete	6-21300-13-55	1
4	Clamping screw with logo M8 x 21/38 mm	01-82-783-55	1
5	Clamping piece with pin R 21	6-86735-1-55	1
6	Clamp collar	01-86-931-55	1
7	End cap	01-84-935-55	3
8	Hand crank complete	21303-000-55	1
9	Clamping disk	01-06-450-25	1
10	Screws/nuts M6 on crankcase	3-00-000-015	1
11	Housing half shell right	02-41-752-55	1