



BT83 1 2

ULTRA-SLIM POP-OUT VIDEO WALL MOUNT INSTALLATION GUIDE & PARTS LIST

This Pack Contains 1 Mount

PLEASE KEEP THIS PARTS LIST FOR FUTURE REFERENCE



FEATURES

- Designed for flat screens up to 50kg
- Recommended screen size 42"* - 70"
- Modular mount for unlimited video wall displays
- Fits screens with VESA mounting patterns from 200 x 100mm up to 600 x 400mm
- Ultra-slim design only 55.6mm from wall when closed
- Suitable for landscape or portrait screen mounting
- Micro-adjustment of +/-7.5mm at each corner for seamless display alignment
- Screen height adjustment of +15mm
- Push to open / push to close system provides quick and easy service access
- Ideal solution for mounting flat screens into a recessed wall
- Integrated cable management
- Integrated locking kit prevents accidental pop-out of mount
- Can also be pole mounted using B-Tech accessory collars
- Screen specific template kit available to order separately for quick and easy screen alignment

*Minimum screen size when portrait mounting: 46"

Registered Community Design N°: : 004060085-0001



CONTENTS

Installation Safety Notes.....	2
Parts List.....	4
Interface Adaptors.....	5
Installation Instructions.....	6
Installation Options / Recess Mounting.....	12
Alternative Mounting Examples.....	13
Product Dimensions.....	14
B-Tech Contact Details.....	16

INSTALLATION TOOLS REQUIRED

Flathead & crosshead screwdriver



Drill



Drill bit



Pencil



Level



B-TECH AUDIO VIDEO MOUNTS

www.btechavmounts.com

INSTALLATION SAFETY INSTRUCTIONS



CAUTION: This mount is intended for use only with the maximum weights indicated. Use with flat screens heavier than the maximum indicated may result in instability causing possible injury.

Do not attempt to install this product until all instructions and warnings have been read and properly understood. Please keep these instructions for future reference.

Please check carefully to make sure there are no missing or defective parts - defective parts must never be used. B-Tech International Design and Manufacturing Limited, its distributors and dealers are not liable or responsible for damage or injury caused by improper installation, improper use or failure to observe these safety instructions. In such cases, all guarantees will expire.

General

B-Tech International Design and Manufacturing Limited recommends that a professional AV installer or other suitably qualified person install this product. Great care must always be taken during installation as most AV equipment is of a fragile nature, possibly heavy and easily damaged if dropped.

If you do not fully understand the instructions or are not sure how to install this product safely, then please consult a professional for advice and/or to install this product for you. Failure to mount this product correctly may cause serious injury or death both during installation and at any time thereafter.

Do not mount any AV equipment that exceeds the specific weight limit of the product you are installing.

This weight limit will be clearly stated on each product and its packaging and will vary from product to product.

Product location

Please pay careful attention to where this product is located. Check load capacity of wall prior to installation as some walls are not suitable for installation. Designed for indoor use, this mount is suitable for public or home installation. If located in a public or frequently populated area ensure that the product is out of the immediate reach of people. If any AV equipment is to be suspended over the likely path or location of people then great care should be taken to secure all parts of the installation from falling. If you install this product on drywall it must be securely fixed to a wooden stud, concrete block or other permanent structure behind the drywall board. Installing on drywall boards alone will not support the weight of most AV equipment.

When drilling holes in walls it is essential to avoid contact with electrical cables and water or gas pipes contained within. Use of a good quality live wire detector and hidden object locator is therefore recommended. Only drill into structures when you are sure it is safe to do so.

Fixing hardware

It is highly recommended that all wall fixing screws be used where supplied and that the purpose of all other fixing hardware is fully understood. In some cases more AV equipment fixing hardware will be supplied to accommodate different models of equipment and set up configurations.

The installer must be satisfied that any supplied fixing hardware is suitable for each specific installation. If any fixing screws or included hardware are deemed not sufficient for a safe installation then please consult a professional or your local hardware store.

Hazard limitation

When routing cables take advantage of any built in cable management features that the product might provide and ensure that all cables are tidy and secure. Check to see that any moving aspect of the product can do so unhindered by any cabling.

Some products have moving parts and the potential to cause injury through the crushing or trapping of fingers or other body parts.

Particular attention to the nature of moving parts is required especially when assembling installing and adjusting during set up.

Immediately after installations double-check that the work done is safe and secure. Double-check all necessary fixings are present and are of ample tightness.

It is recommended that periodic inspections of the product and its fixing points are made as frequently as possible to ensure that safety is maintained. If in doubt consult a professional AV installer or other suitably qualified person.

CS

Společnost B-Tech International Design And Manufacturing Ltd. doporučuje provést instalaci tohoto produktu instalátora AV či jinak způsobilé osoby. Společnost B-Tech International Design And Manufacturing Ltd, její distributoři a prodejci nenesou prostřednictvím odborného odpov. ědnost za škody nebo zranění způsobená nevhodnou instalací. Tento výrobek je nutno umístit do vhodné konstrukce a používat jen po uvedené maximální výšce.

DE

B-Tech International Design And Manufacturing Ltd. empfiehlt, dass dieses Produkt durch einen qualifizierten AV-Techniker oder eine andere Person mit geeigneter Qualifikation installiert wird. B-Tech International Design And Manufacturing Ltd, ihre Distributoren und Händler können nicht für durch fehlerhafte Montage verursachte Beschädigung oder Verletzung haftbar bzw. verantwortlich gemacht werden. Dieses Produkt muss auf eine geeignetem Untergrund montiert werden und darf nur bis zum angegebenen Höchstgewicht verwendet werden.

ES

B-Tech International Design And Manufacturing Ltd. recomienda que un instalador de audio y video profesional u otra persona debidamente cualificada instalen este producto. B-Tech International Design And Manufacturing Ltd, sus distribuidores y concesionarios no se hacen cargo ni se responsabilizan de ningún daño o lesión provocados por una instalación inapropiada. Este producto se debe montar en una estructura adecuada y se debe utilizar soportando solamente hasta el peso máximo indicado.

FR

B-Tech International Design And Manufacturing Ltd. recommande de confier l'installation de ce produit à un installateur AV professionnel ou à une autre personne dûment qualifiée. B-Tech International Design And Manufacturing Ltd, ses distributeurs et ses revendeurs ne sauraient être tenus responsables de tout dégât ou de toute blessure résultant d'une installation incorrecte. Ce produit doit être monté sur un support approprié et utilisé dans la limite du poids maximum indiqué.

IT

B-Tech International Design And Manufacturing Ltd. consiglia di affidare l'installazione di questo prodotto a un installatore specializzato o ad altra persona adeguatamente qualificata. B-Tech International Design And Manufacturing Ltd. i suoi distributori e rivenditori non accettano alcuna responsabilità nei riguardi di eventuali danni o infortuni causati da un'errata installazione. Questo prodotto deve essere fissato a una struttura idonea e utilizzato unicamente sino al peso massimo indicato.

NL

B-Tech International Design And Manufacturing Ltd. adviseert om dit product te laten installeren door een professionele AV-installateur of andere hiervoor gekwalificeerde persoon. B-Tech International Design And Manufacturing Ltd, haar distributeurs en dealers zijn niet aansprakelijk of verantwoordelijk voor schade of letsel die is veroorzaakt door onoordeelkundige installatie. Dit product moet worden gemonteerd aan een geschikte constructie, waarbij het aangegeven maximum gewicht niet mag worden overschreden.

PL

Firma B-Tech International Design And Manufacturing Ltd. zaleca, aby ten produkt był instalowany przez profesjonalnych instalatorów AV lub inny odpowiednio przeszkolony personel. Firma B-Tech International Design And Manufacturing Ltd, jej dystrybutorzy i dealerzy nie ponoszą odpowiedzialności za uszkodzenia lub obrażenia ciała powstałe w wyniku nieprawidłowej instalacji. Niniejszy produkt musi być zamontowany na odpowiedniej powierzchni, a podczas u żytkowania nie wolno przekraczać podanego maksymalnego obciążenia.

PT

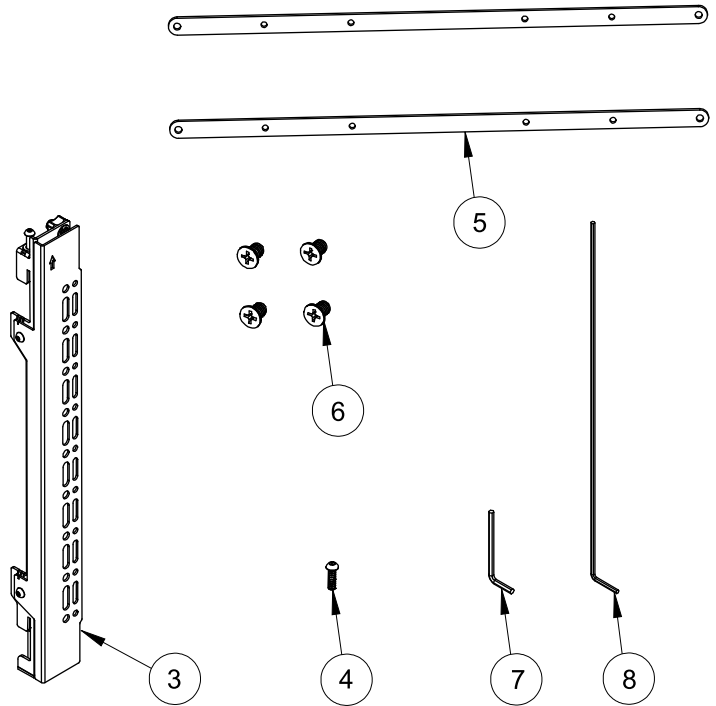
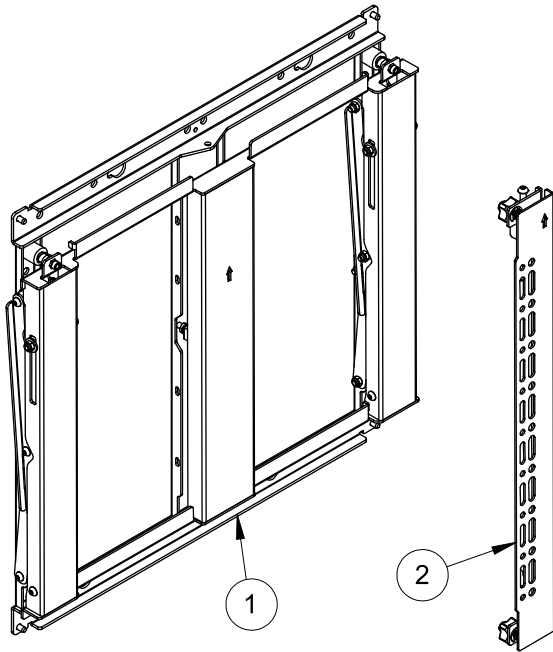
A B-Tech International Design And Manufacturing Ltd. recomenda que a instalação deste produto seja efectuada por um instalador de AV instalador de AV profissional ou outra pessoa devidamente habilitada. A B-Tech International Design And Manufacturing Ltd. e os seus distribuidores e concessionários não são responsáveis por danos ou lesões causados por uma instalação incorrecta. Este produto tem de ser montado numa estrutura adequada e utilizado somente até ao peso máximo indicado.

RU

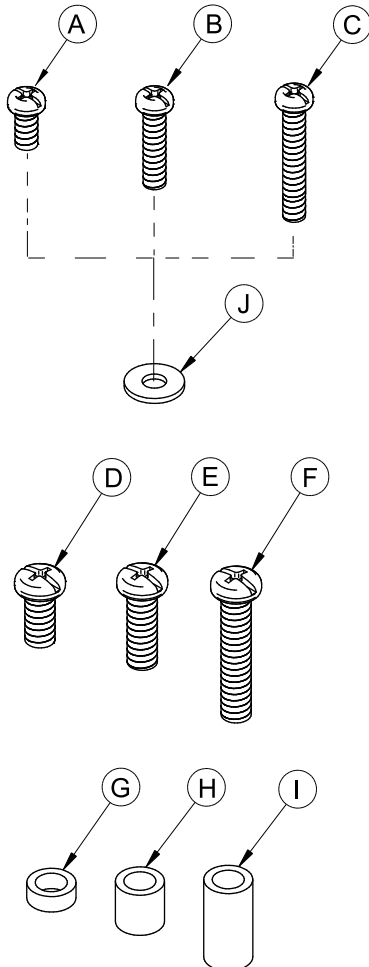
Компания B-Tech International Design And Manufacturing Ltd. рекомендует, чтобы установка данного изделия производилась инженером по установке аудио-видеотехники или другим специалистом с соответствующей квалификацией. Компания B-Tech International Design And Manufacturing Ltd. ее дистрибьюторы и дилеры не несут ответственности за повреждения или травмы, полученные в результате неправильной установки. Данное изделие должно

توصي بي- تك للتجارة الدولية المحدودة بأن شخص محترف في تركيب ال AV او شخص مؤهل تأهيلا مناسباً لتركيب هذا المنتج. بي- تك للتجارة الدولية، موزعيها والتجار ليست عرضة أو مسؤولة عن الأضرار أو الإصابات الناجمة عن تركيب غير سليم، والاستخدام غير السليم أو عدم مراعاة هذه التعليمات للسلامة. يجب أن يتم تركيب هذا المنتج في بنية مناسبة ويجب استخدامة فقط لدعم الحد الأقصى للوزن المشار إليه.

BT8312 PARTS LIST



FLAT SCREEN INTERFACE KIT (FOR ATTACHING MOUNT TO BACK OF FLAT SCREEN)



Suitable for loads
up to 50kg

REF	PART NAME	QTY
1	WALL MOUNT	1
2	INTERFACE ARM - LEFT	1
3	INTERFACE ARM - RIGHT	1
4	M6 x 20mm SCREW	1
5	600mm ADAPTOR ARM	2
6	M8 x 12mm CSK SCREW	4
7	4mm SHORT ALLEN KEY	1
8	4mm LONG ALLEN KEY	1
INTERFACE KIT		
A	M6 x 16mm SCREW	4
B	M6 x 25mm SCREW	4
C	M6 x 40mm SCREW	4
D	M8 x 16mm SCREW	4
E	M8 x 25mm SCREW	4
F	M8 x 40mm SCREW	4
G	M8 x 5mm SPACER	4
H	M8 x 13mm SPACER	4
I	M8 x 25mm SPACER	4
J	M6 WASHER	4

IMPORTANT: FIXING SCREWS ARE NOT INCLUDED WITH THIS PRODUCT.

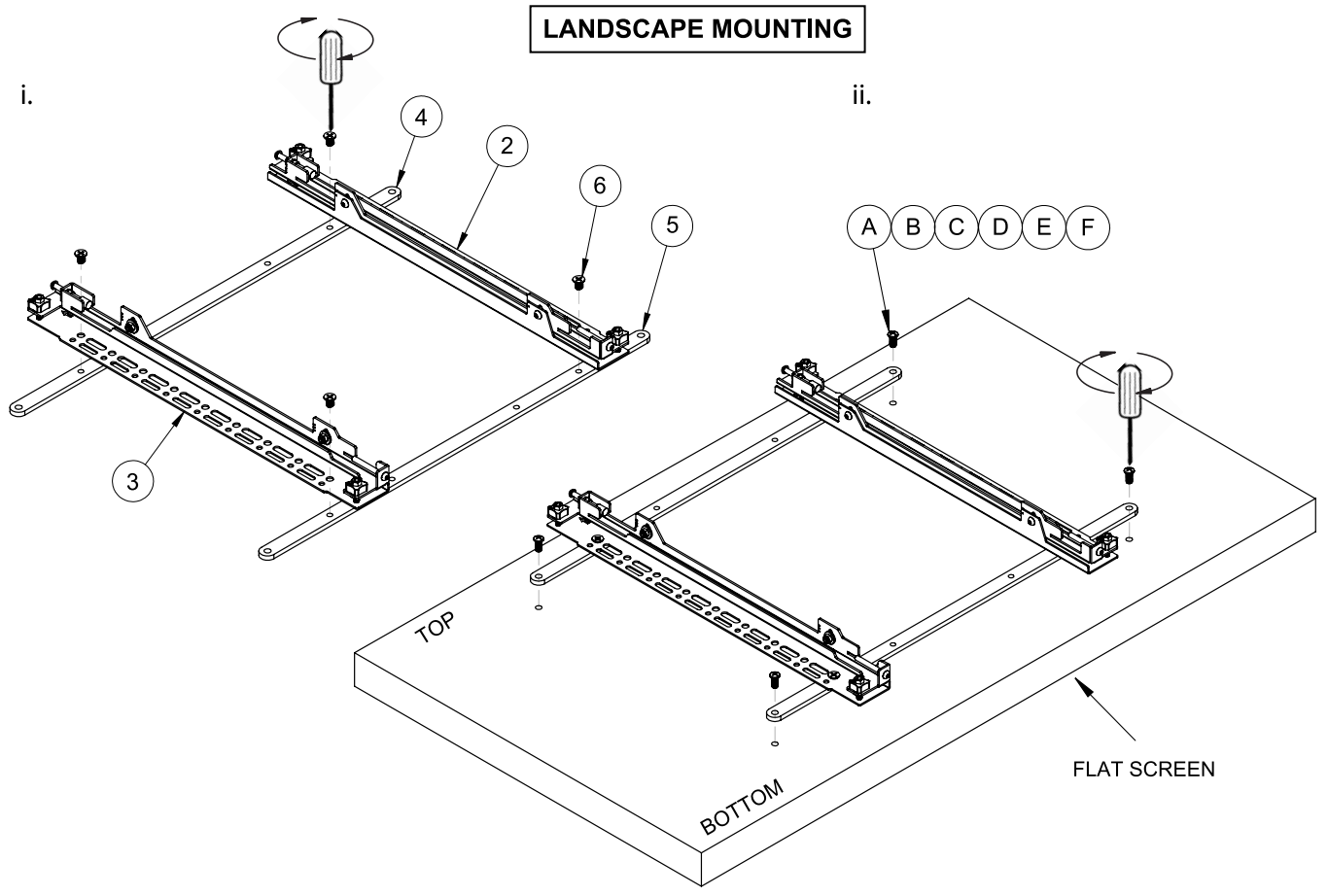
B-TECH HIGHLY RECOMMEND THIS PRODUCT BE INSTALLED BY A SUITABLY QUALIFIED PERSON. THE INSTALLER MUST BE SATISFIED THAT THE TYPE OF FIXINGS USED ARE SUITABLE FOR THE TYPE OF WALL THE PRODUCT IS TO BE MOUNTED TO. CARE MUST BE TAKEN AS TO WHERE THIS PRODUCT IS LOCATED AS SOME WALLS ARE NOT SUITABLE FOR INSTALLATION. WHEN DRILLING HOLES KNOWLEDGE MUST BE OBTAINED TO AVOID CONTACT WITH ANY ELECTRICAL CABLES AND/OR GAS AND WATER PIPES CONTAINED WITHIN THE WALL.

VESA 600 x 400MM INTERFACE ADAPTORS

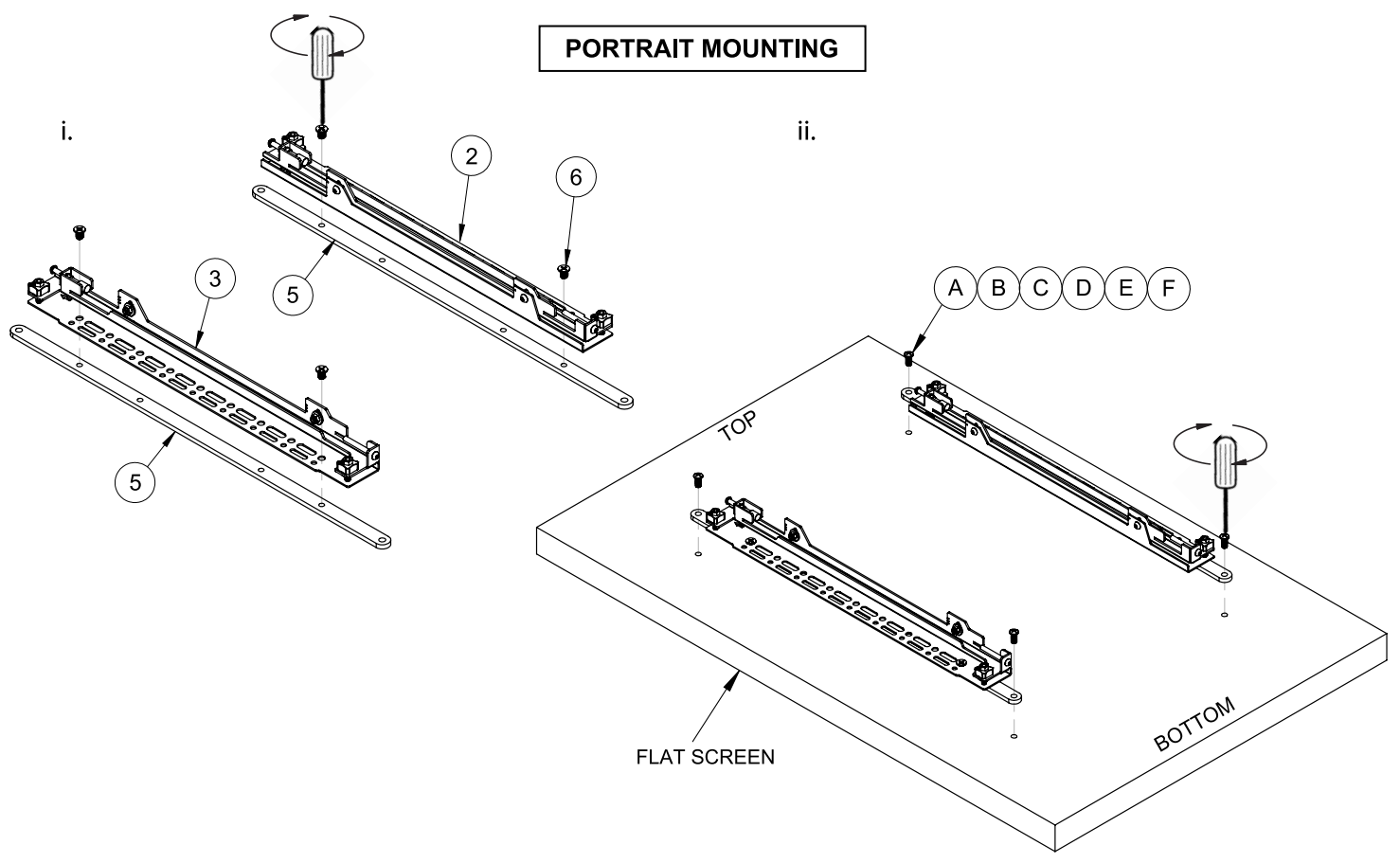
The interface arms (parts 2 & 3) can mount screens with fixing patterns from 200 x 200mm up to 400 x 400mm.

To mount flat screens with VESA 600 x 400mm fixings use the adaptor arms (part 5).
For screens with 800 x 400mm fixings use the BT7565 interface adaptor (*not included*).

LANDSCAPE MOUNTING



PORTRAIT MOUNTING

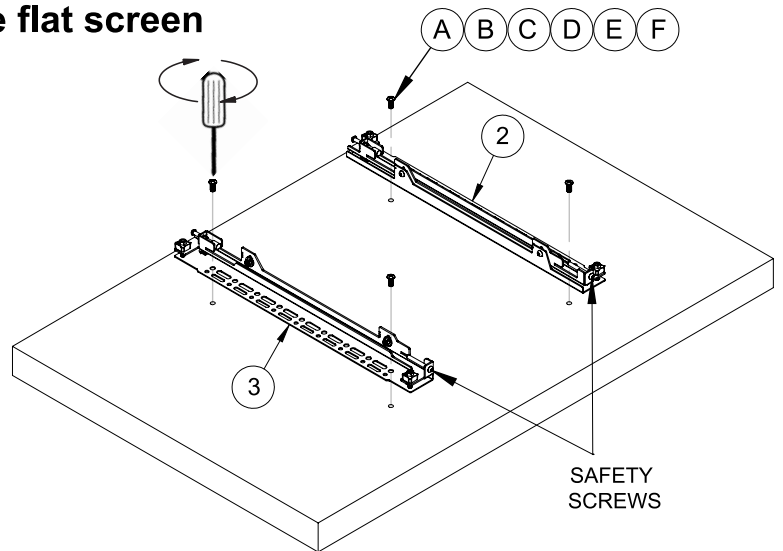


INSTALLATION INSTRUCTIONS

1 Attach the interface arms to the flat screen

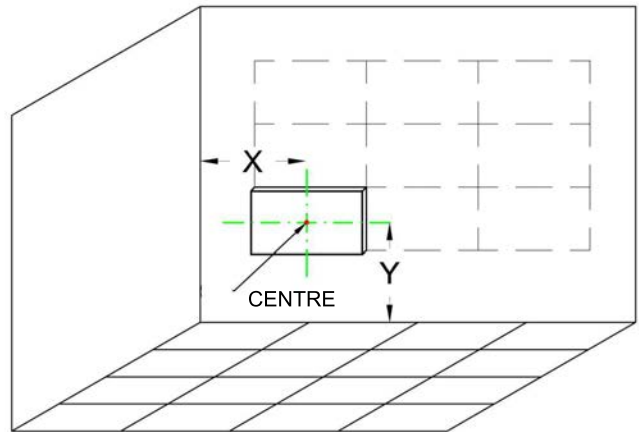
- i. Completely loosen the two safety screws.
- ii. Fix the interface arms (parts 2 & 3) to the back of the flat screen using the screen interface kit (parts A - J).

Use spacers (parts G, H & I) for screens with recess fixings.

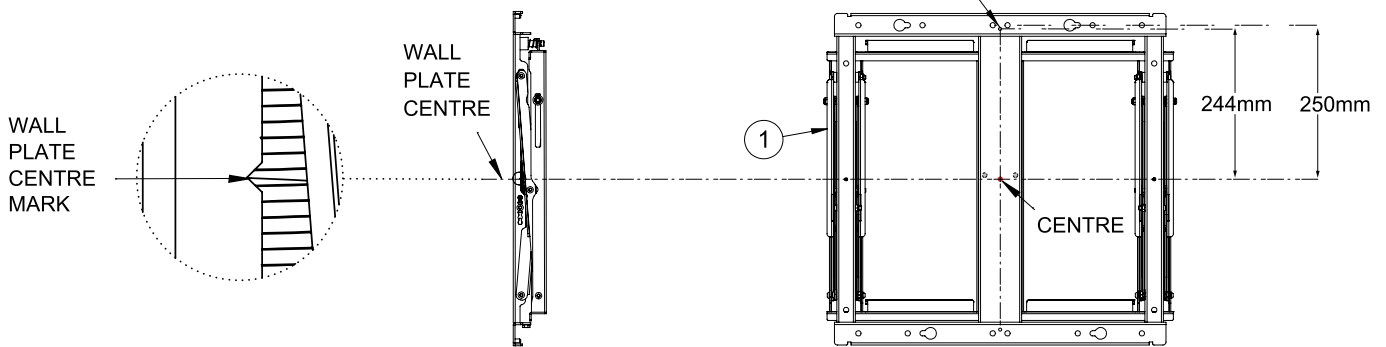


2 Install the first mount

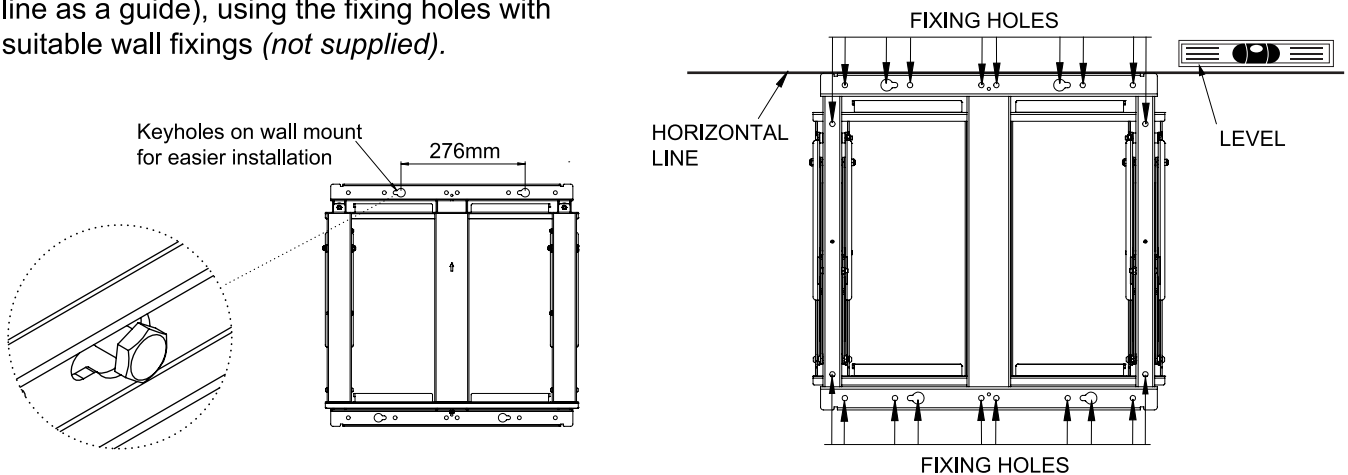
- i. Determine the centre of the first flat screen at the bottom left.



- ii. Mark 244mm up from centre to mark the top centre hole.

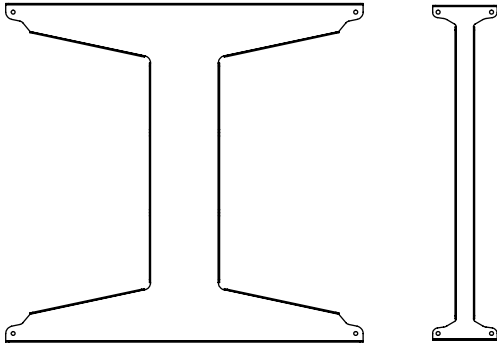


- iii. Fix the wall mount to the wall (use the horizontal line as a guide), using the fixing holes with suitable wall fixings (*not supplied*).



Mounting Spacer Kits

For quick and easy installation of the video wall mounts, it is advised that a mounting spacer kit is used (not included). A different kit is required for each different flat screen size.

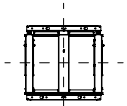


SCREEN SIZE	SCREEN DIMENSIONS	SPACER
46"	1022 x 576mm	BT8312-SP461
46"	1025 x 579mm	BT8312-SP462
47"	1047 x 592mm	BT8312-SP471
49"	1077.6 x 607.8mm	BT8312-SP491
55"	1215 x 686mm	BT8312-SP551
55"	1211.4 x 682.2mm	BT8312-SP552
70"	1543.7 x 870.4mm	BT8312-SP701

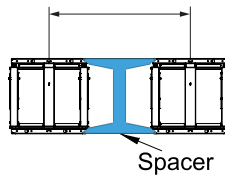
For current spacer listings and compatible flat screen models, please visit www.btechavmounts.com/BT8312

Example of landscape flat screen mounting with spacers

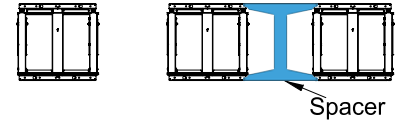
i. Always start from the bottom corner of the video wall configuration.



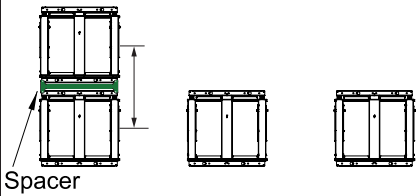
ii.



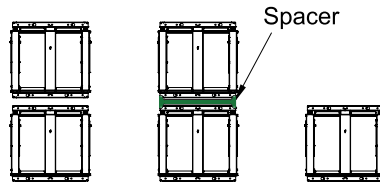
iii.



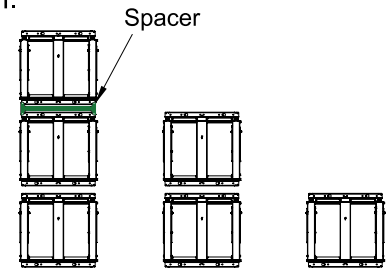
iv.



v.

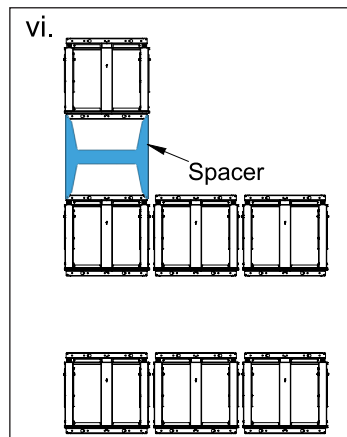
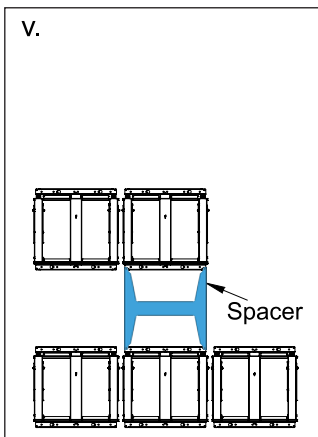
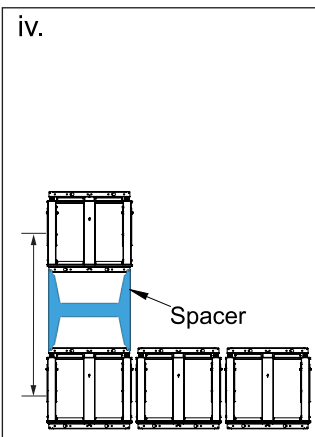
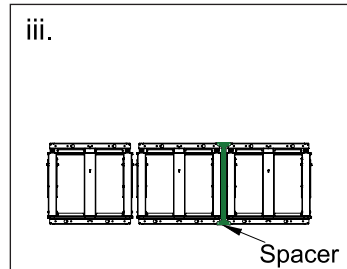
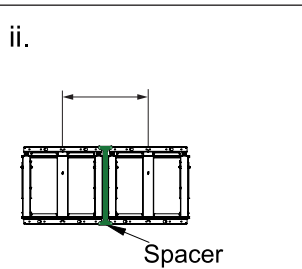
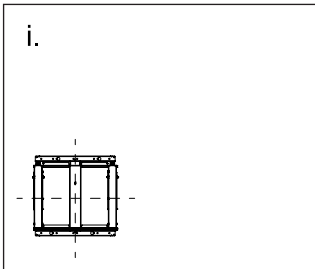


vi.



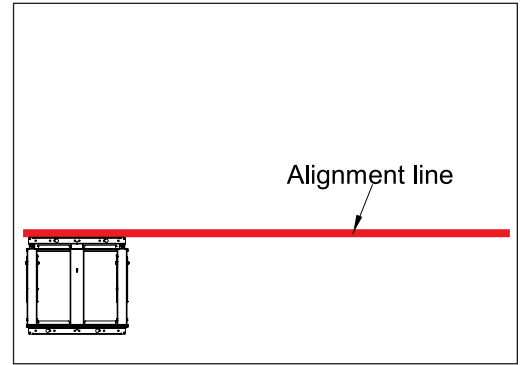
Example of portrait flat screen mounting with spacers

Always start from the bottom corner of the video wall configuration.



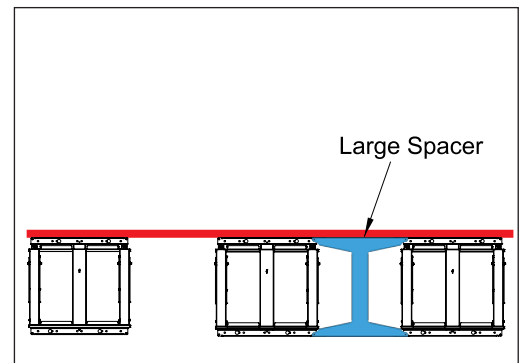
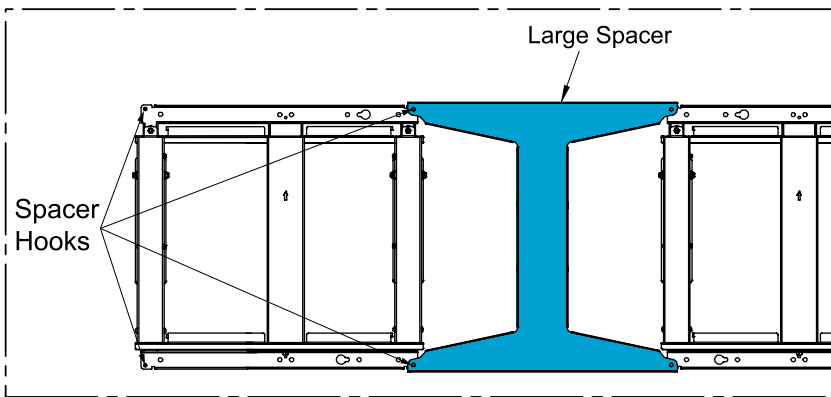
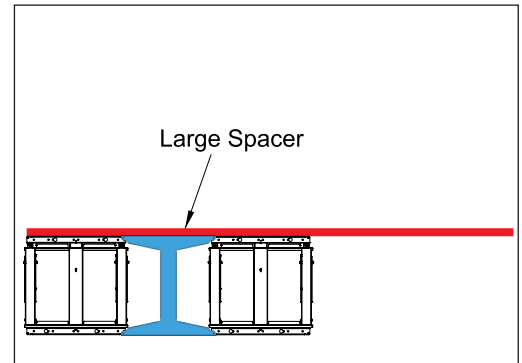
4 Installation and alignment of the additional mounts

- i. Once the first wall mount has been installed, draw a horizontal alignment line or use a laser level to get the alignment line as shown.



- ii. Using the large spacer, place the second wall mount as shown whilst being careful to keep on the alignment line.

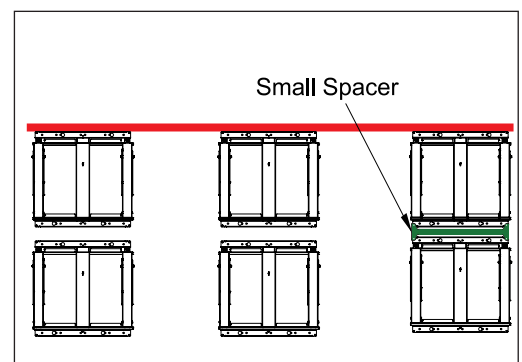
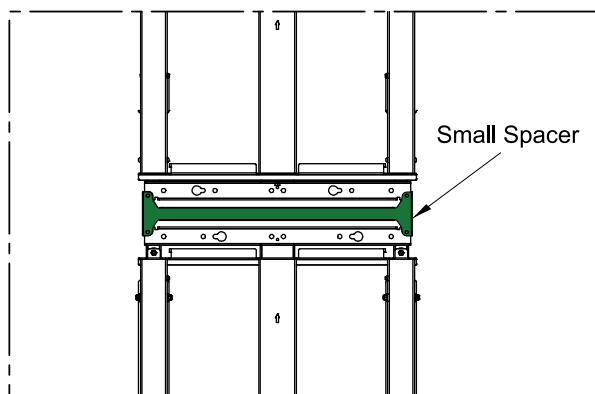
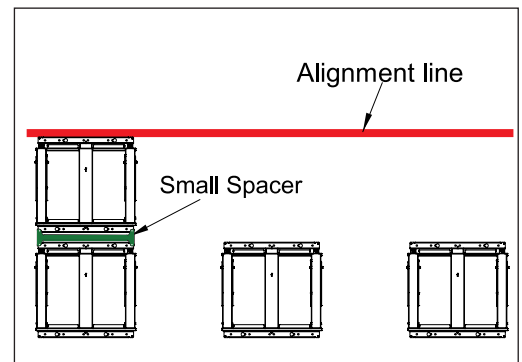
Repeat this step to mount the additional wall mounts on this row.



- iii. Using the small spacer, place the first wall mount of the next row.

Draw another horizontal alignment line or use a laser level to get the alignment line as shown.

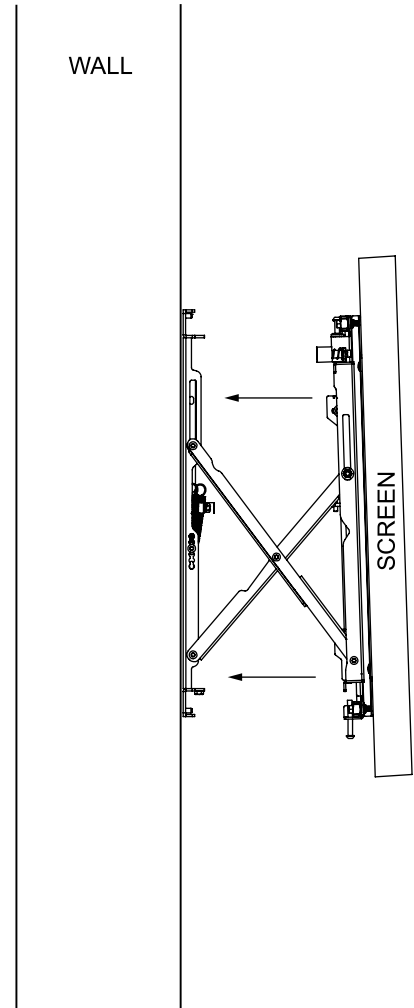
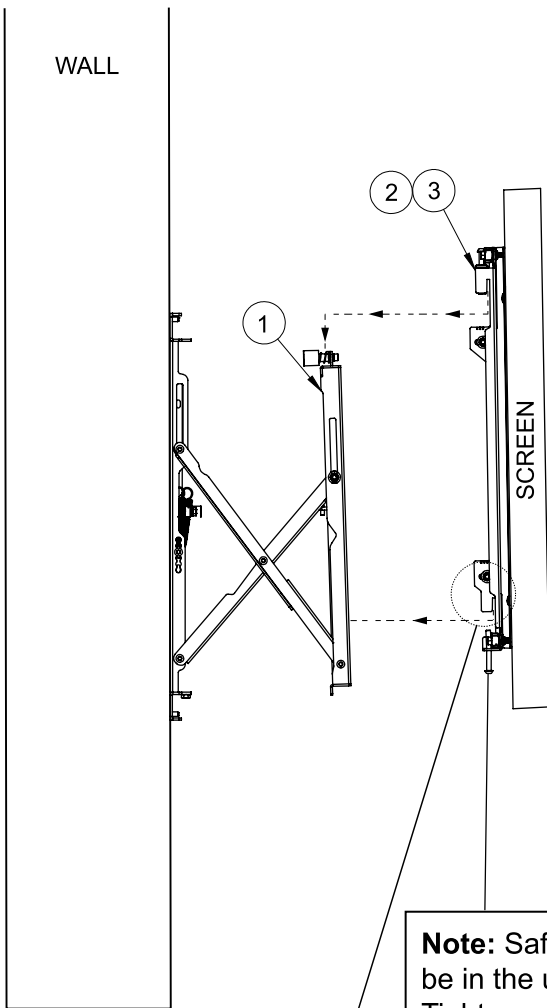
Mount the additional wall mounts.



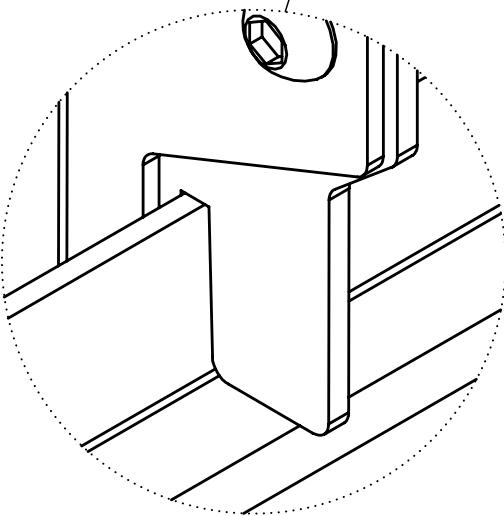
Note: Installation shows screen mounting in a landscape orientation

Hook screen onto wall mount

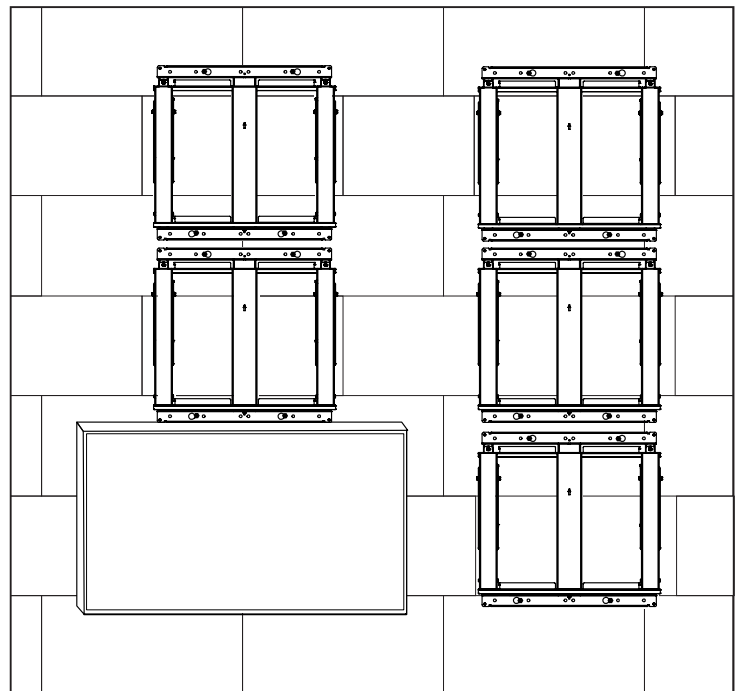
Hook the first flat screen onto the bottom left wall plate.



Note: Safety screws need to be in the unlocked position. Tighten safety screws once all flat screens are mounted and aligned with each other.

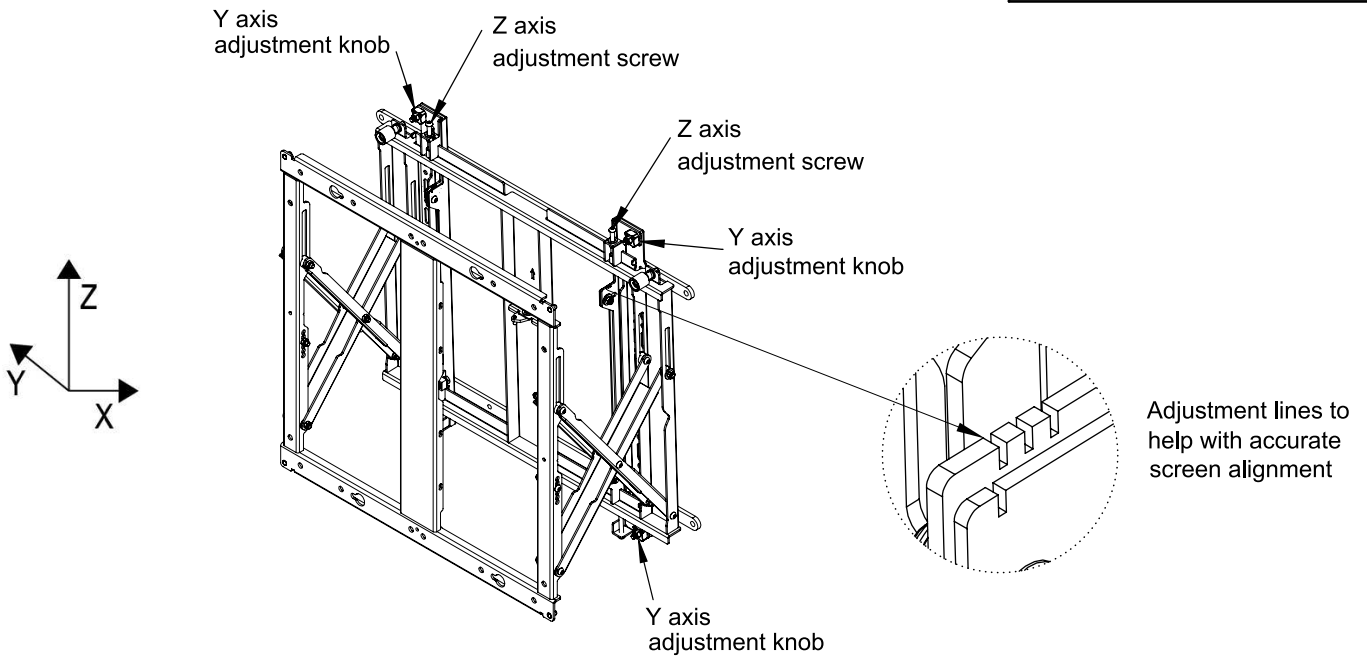


Note: Ensure the bottom interface arm hooks are properly mounted onto the wall plate.

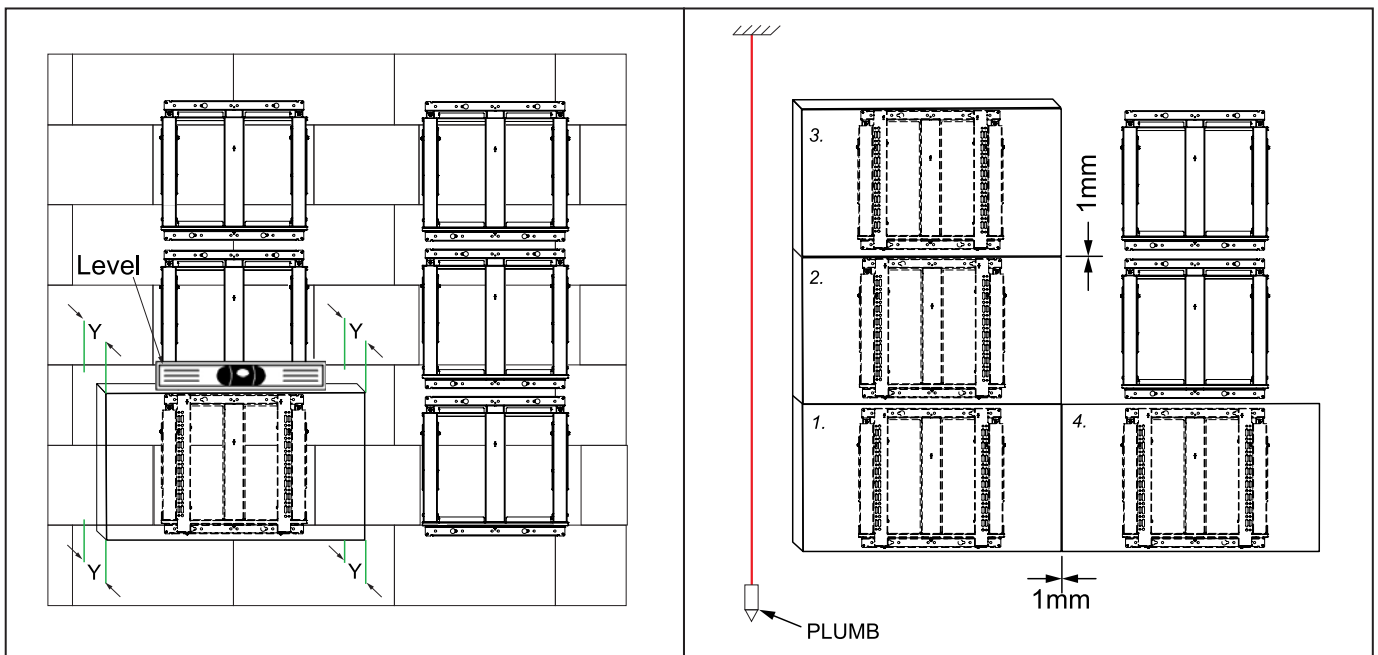


Flat screen alignment

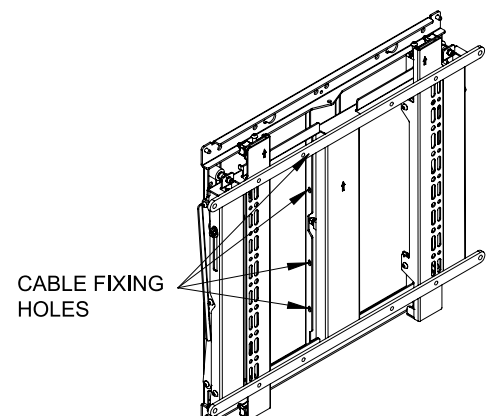
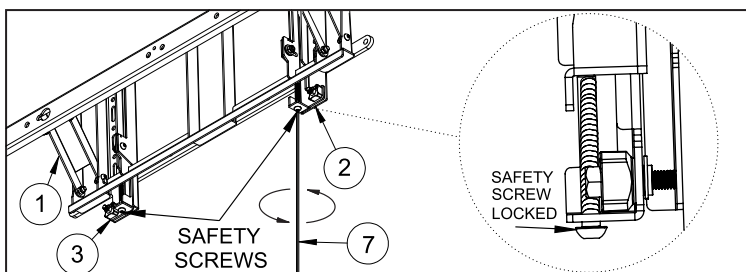
Total Z axis adjustment is 15mm
Total Y axis adjustment is 7.5mm



- Check the horizontal centre of the flat screen is aligned with the horizontal centre of the wall mount.
- Using a level, align the flat screen parallel to the floor using the Z axis adjustment screws. 4mm Allen key (part 7) required.
- Use the Y axis knob to ensure that each corner of the flat screen is equidistant from the wall.
- Use a plumb to align the first column of flat screens and leave at least a 1mm gap between them.
- Hook on the remaining flat screens leaving at least 1mm gap between them.

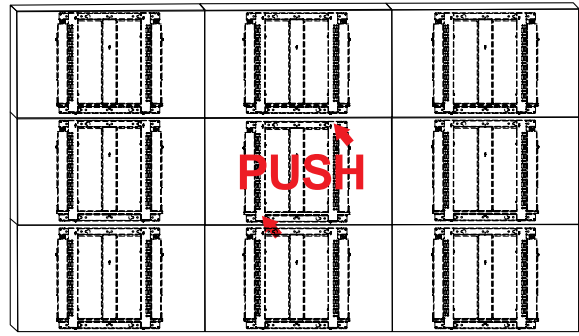
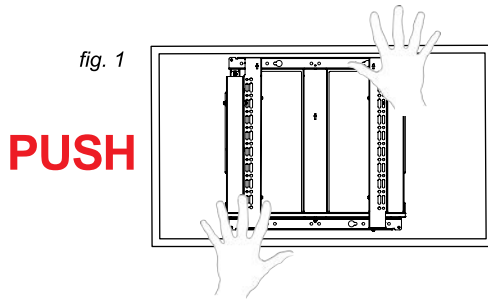


- When the screens are all positioned correctly, tighten the safety screws which were previously loosened.
- Fix cables using the cable fixing holes and cable ties if required.



Servicing the flat screens

- i. To service the flat screen, push the screen and the mount will release and move out from the wall. Be careful not to damage the screen when pushing. Keep hold of the screen as it moves outwards.



Note: Push at the top and bottom of the screen on the bezel. To avoid any screen flexing (and when spacers have been used) apply light pressure in-line with the interface arms, pushing alternative arms at the top and bottom simultaneously (see fig. 1).

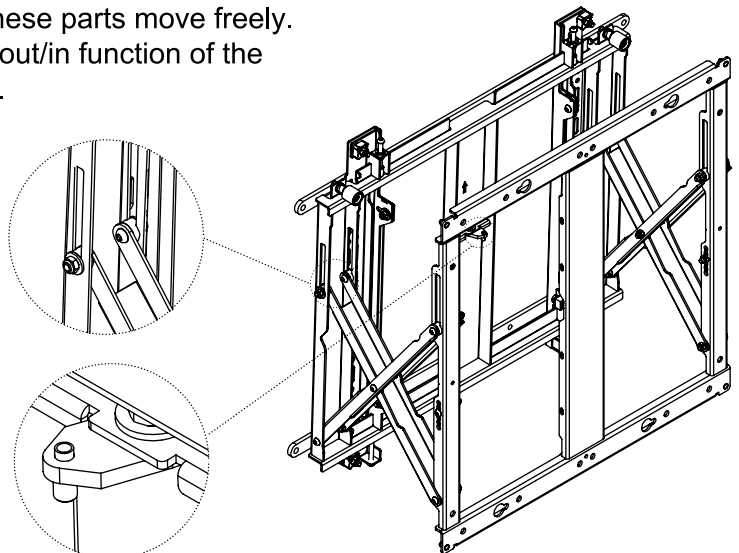
- ii. Screen shown in the service position.



- iii. When servicing is complete, push the screen back and click into place.



- iv. *Optional:* Adjustments can be made to ensure these parts move freely. If overtightened, it will negatively affect the pop-out/in function of the product. If too loose, it will create lateral wobble.



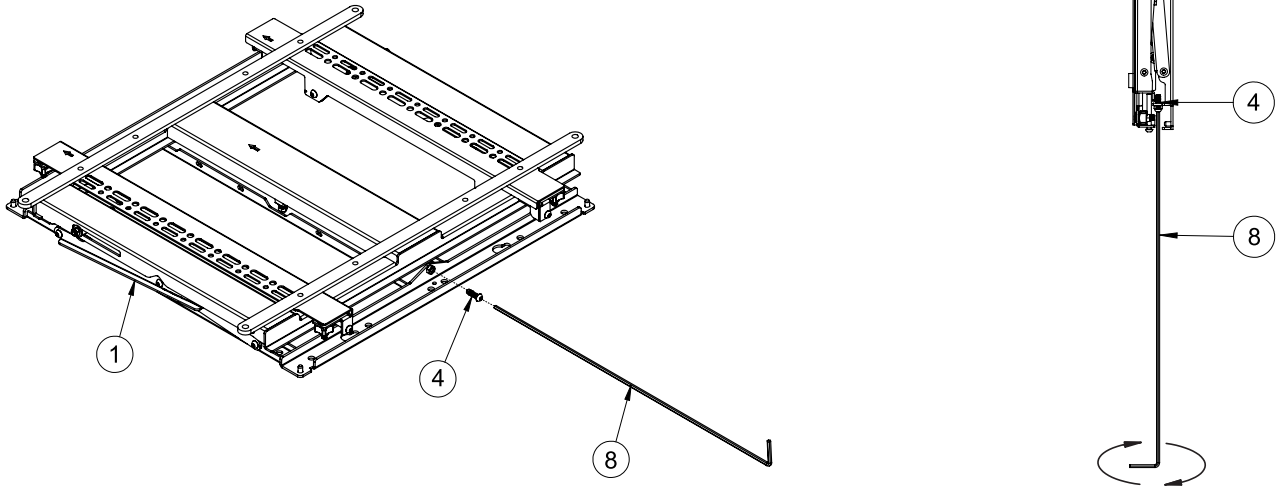
Note: If the pop-out function of the bracket is not operating, check that the locking screw (part 4) has not been engaged - see page 12.

INSTALLATION OPTIONS

Locking screw installation

If this mount is used in public areas, a locking screw is available to prevent the mount from popping out accidentally.

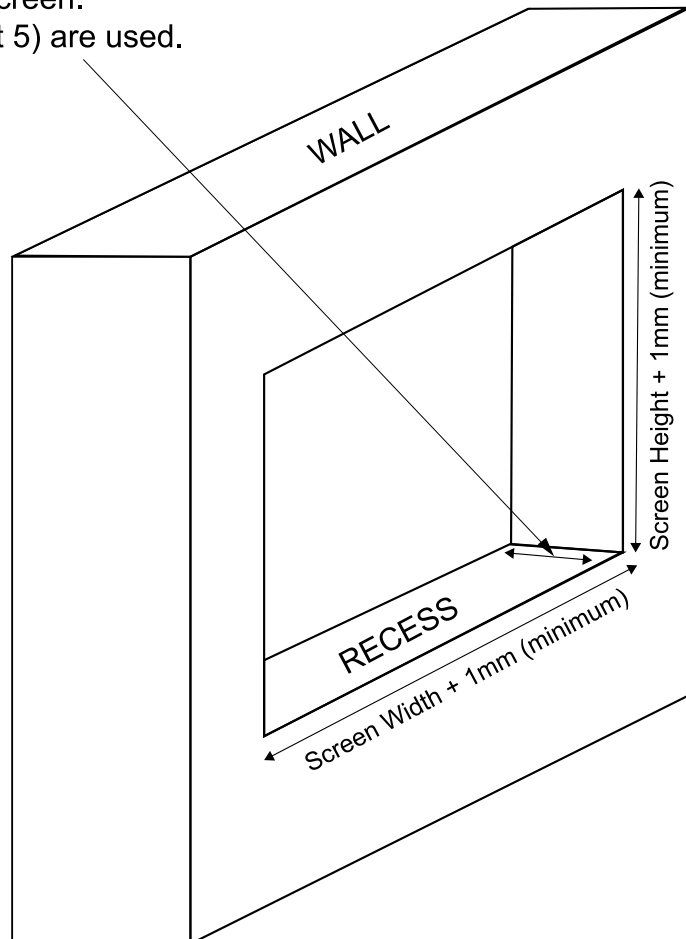
Ensure the wall mount (part 1) is in the closed position before inserting the locking screw (part 4).



RECESS MOUNTING

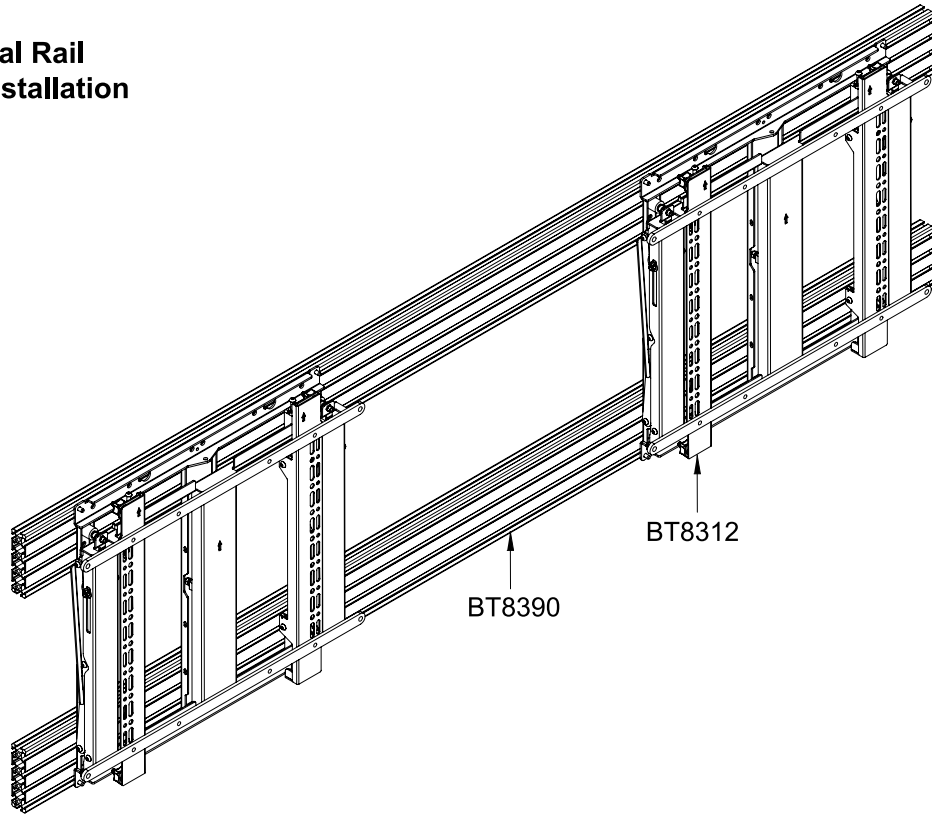
Depth of recess = 63mm* + Depth of screen.

* Add 6mm if 600mm adaptor arms (part 5) are used.

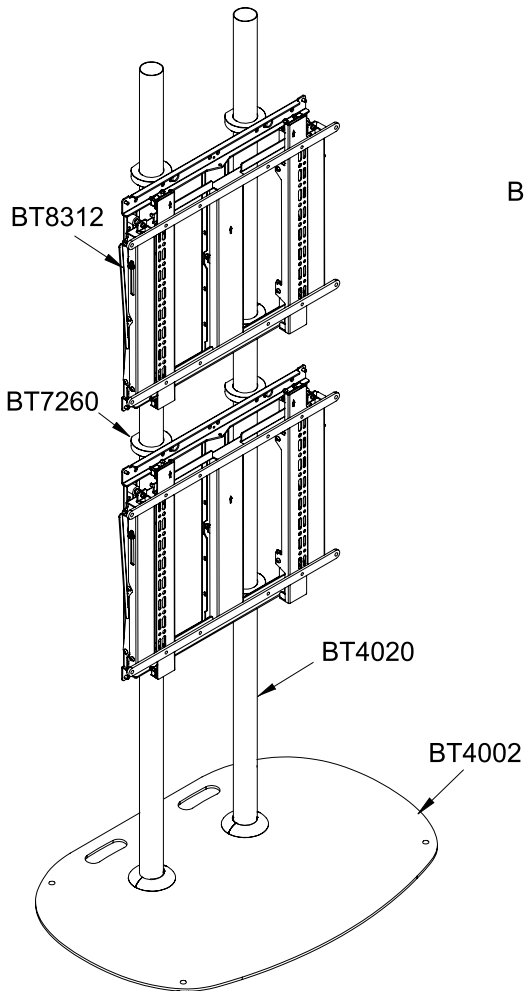


ALTERNATIVE INSTALLATION EXAMPLES

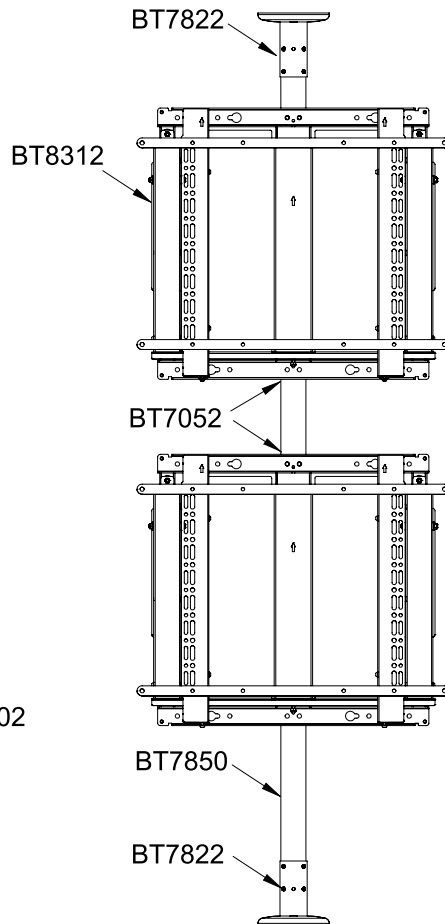
Horizontal Rail System X Installation



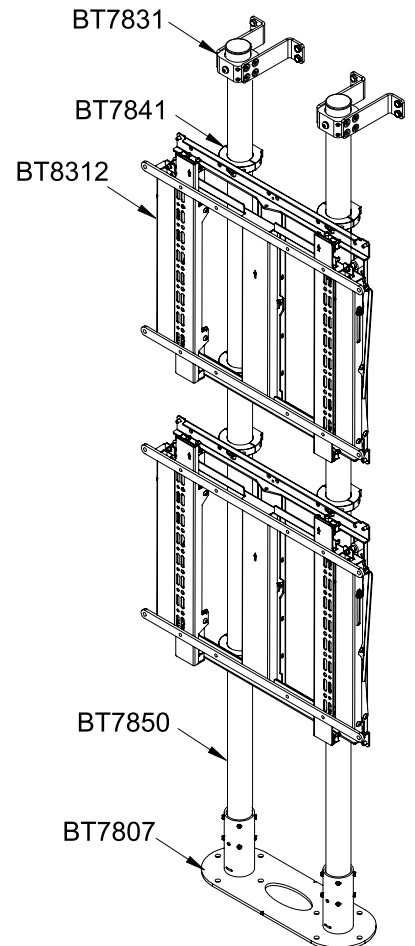
Free Standing Installation



Single Floor To Ceiling Vertical Pole Installation



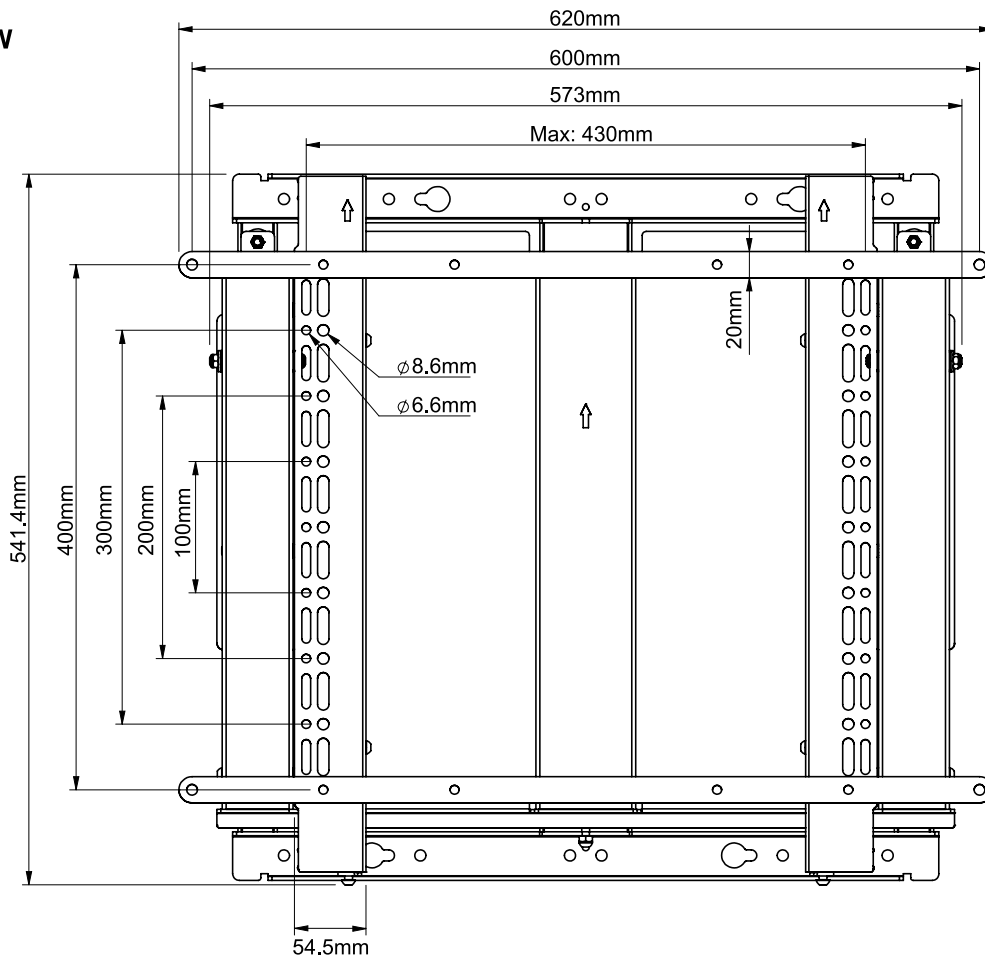
Double Floor To Wall Vertical Pole Installation



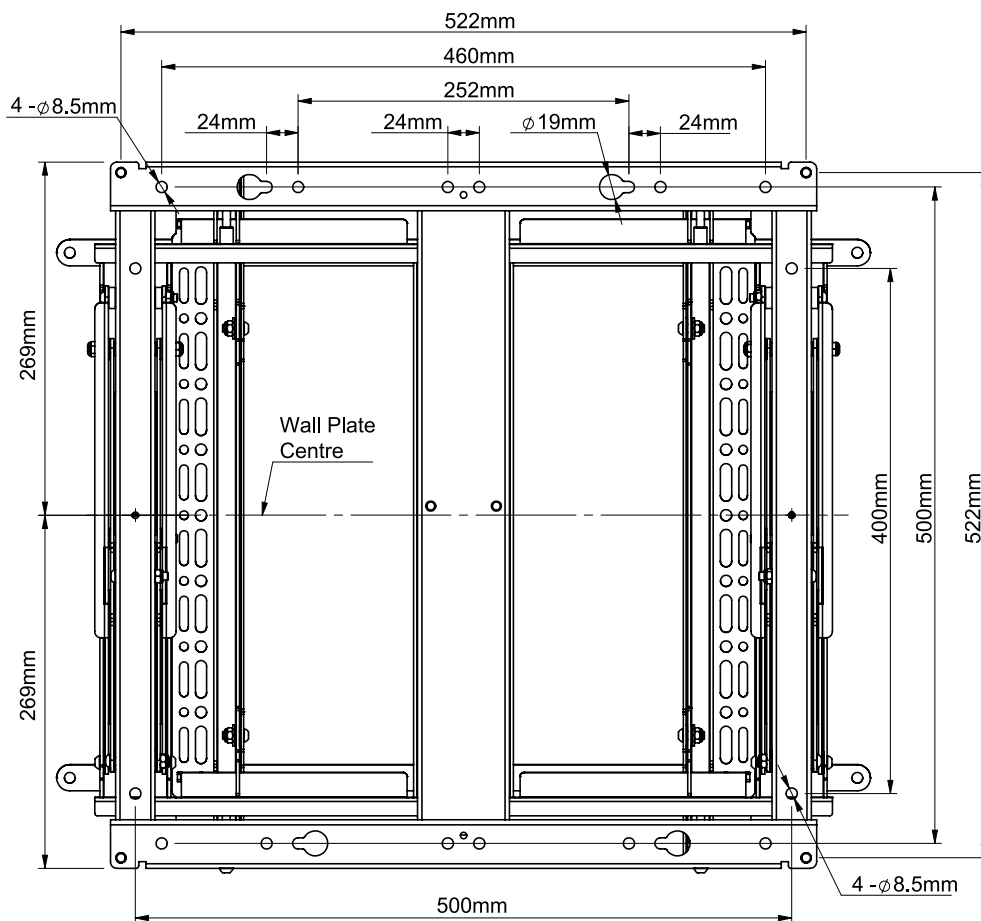
Bases must be fixed to the floor

BT8312 PRODUCT DIMENSIONS

FRONT VIEW



REAR VIEW

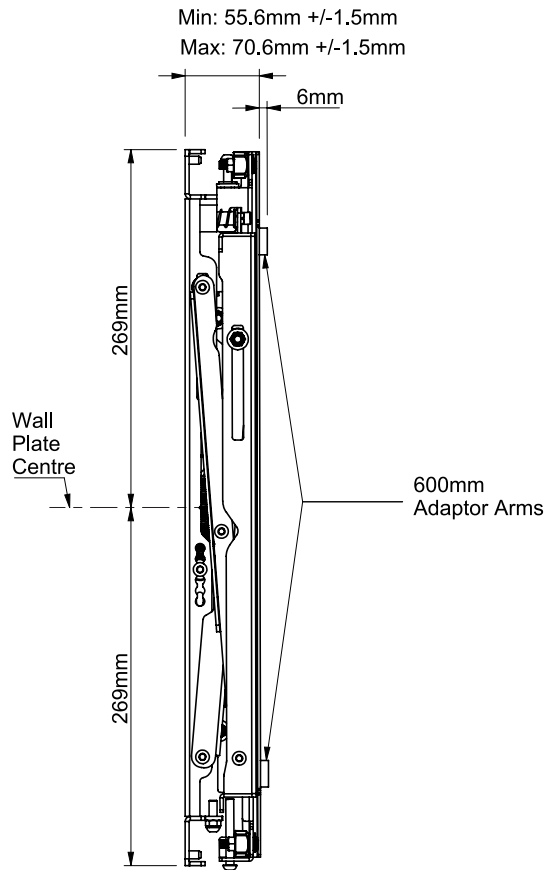


THESE INSTRUCTIONS ARE INTENDED AS A GUIDE ONLY AND B-TECH ACCEPTS NO LIABILITY FOR THE ACCURACY OF THE INFORMATION CONTAINED IN THIS DOCUMENT

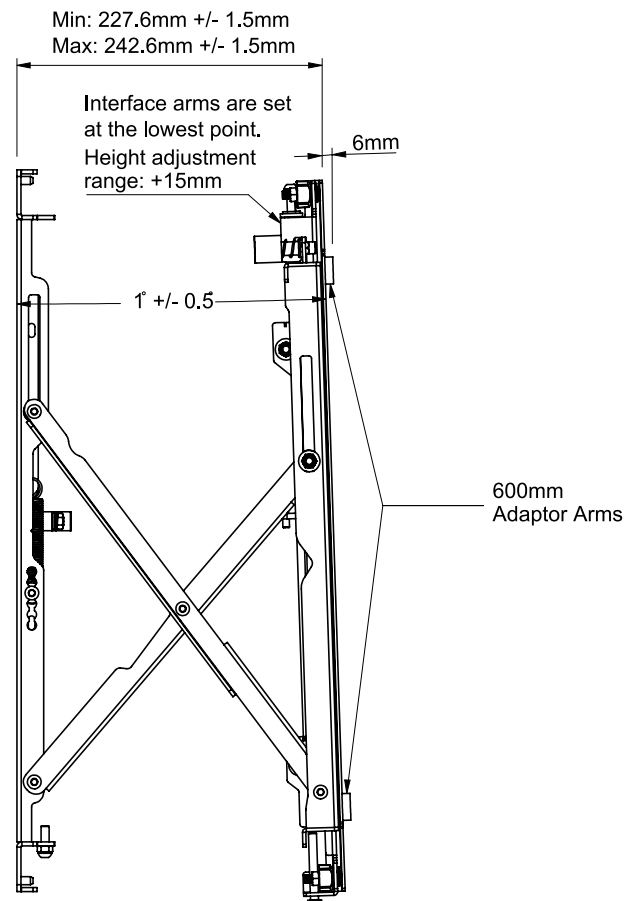
BT8312

PRODUCT DIMENSIONS

SIDE VIEW CLOSED



SIDE VIEW OPENED





WARNING
FIX / TIE THE CABLES TO
PREVENT POSSIBLE DAMAGE



THESE INSTRUCTIONS ARE INTENDED AS A GUIDE ONLY AND B-TECH ACCEPTS NO LIABILITY FOR THE ACCURACY OF THE INFORMATION CONTAINED IN THIS DOCUMENT



www.btechavmounts.com

B-TECH AUDIO VIDEO MOUNTS

HEAD OFFICE

B-Tech International Limited

Bennett House, Long March, Daventry, Northants., NN11 4NR, UK

Email: info@btechavmounts.com

©2017 B-Tech International Design & Manufacturing Ltd. All rights reserved.
B-Tech Audio Video Mounts is a division of B-Tech International Design & Manufacturing Ltd
B-Tech & Better By Design are registered trademarks of B-Tech International Design & Manufacturing Ltd.
All other brands and product names are trademarks of their respective owners.
Photographs are for illustrative purposes only. E&OE

AMA-BT8312-V1-PROBX-0617-110 Made in Vietnam