



FOR SCREENS  
 UP TO 47"

# BT8571

## MEDIUM FLAT SCREEN SINGLE POLE FLOOR STAND

BT8571 is a stylish display stand designed for use with a small - medium sized flat screen. The base features non-marking rubber feet, grab handles for easy handling, and a cover plate to hide the handles. Suitable for screens with VESA fixings up to 200 x 200, the screen can be easily mounted at any height on the 1.8 metre pole. Accessories such as shelves can also be added using a Ø50mm collar.

### SPECIFICATION

Recommended Screen Size	up to 47"
Max load	25kg
VESA® compatibility	up to 200 x 200
Dimensions	W: 700 x D: 515 x H: 1827mm

### FEATURES

- Universal design suitable to mount screens in a landscape or portrait orientation
- Heavy duty 6mm thick steel construction
- Grab handles allow for easy handling
- Includes cover plate to hide grab handles once installed
- Shelves and other accessories can be fitted to the poles using Ø50mm accessory collars
- Simple 'hook-on' installation
- Integrated cable management
- All mounting hardware included



Supplied with non-marking rubber feet for increased stability



Grab handles allow for easy handling

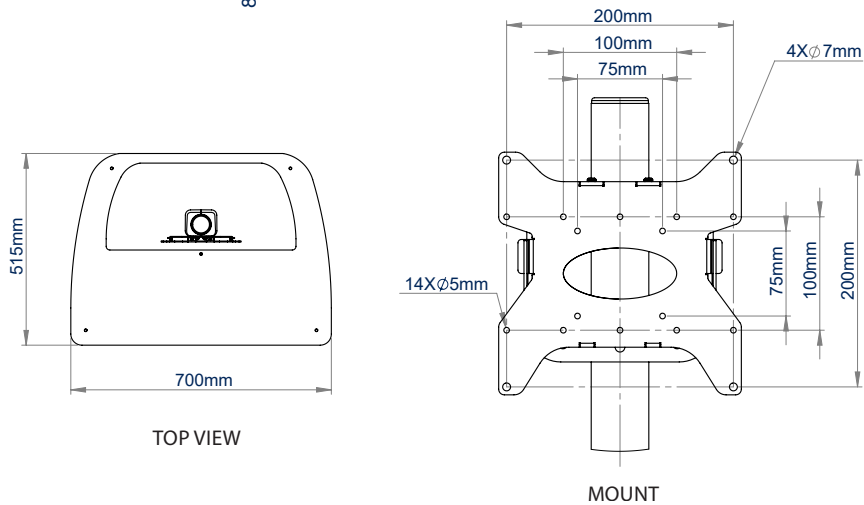
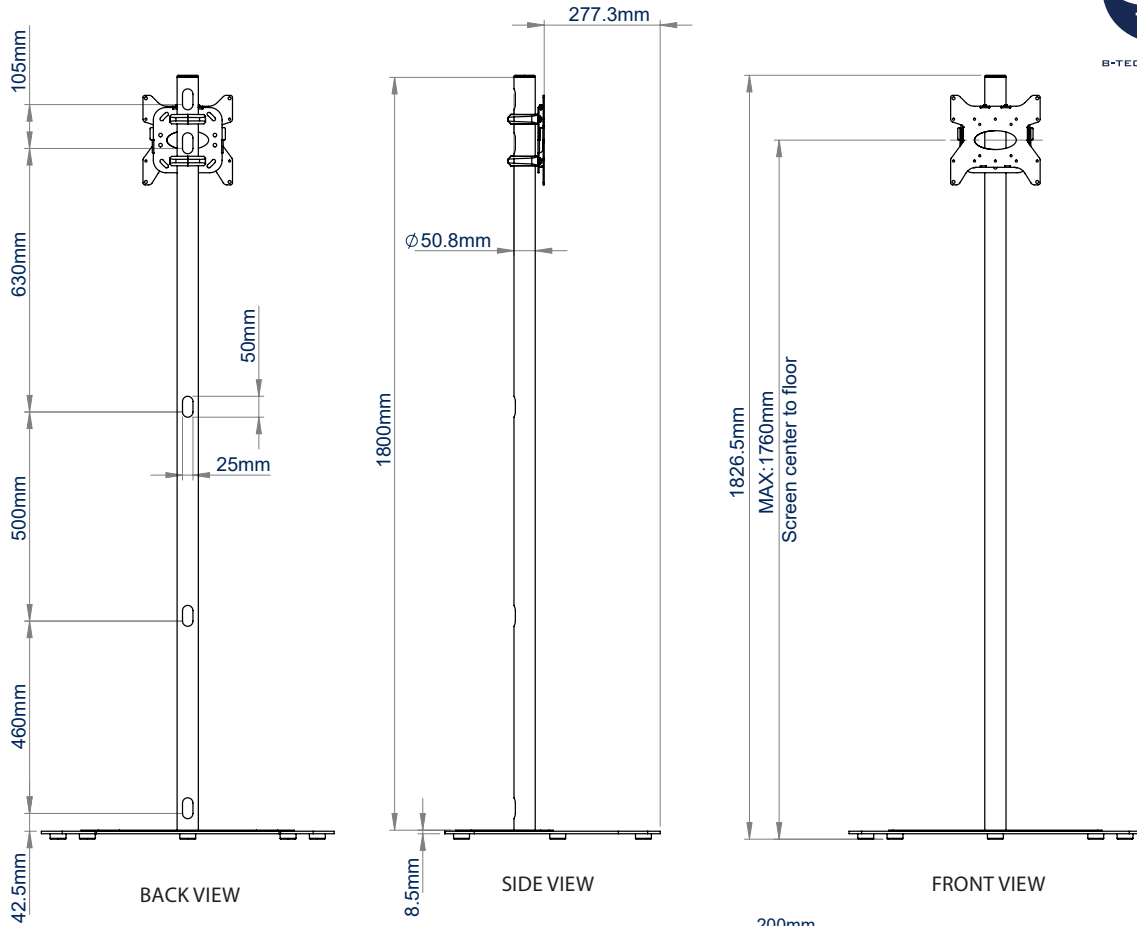


Integrated cable management for tidy install



Includes cover plate to hide grab handles once installed





**PACKING INFORMATION**

COLOUR:	ORDER REF:	EAN CODE:
Black	BT8571/BB	5019318305801

**ACCESSORIES AND RELATED PRODUCTS**

<p><b>BT7052</b></p>	<p><b>BT7033</b></p>	<p><b>BT8572</b></p>	<p><b>BT8581</b></p>
----------------------	----------------------	----------------------	----------------------

**050mm Collar** designed to attach AV accessory and VC camera shelves to poles

**300 x 300mm AV Accessory Shelf** for mounting to a wall or across a wide range of B-Tech products

**Floor Stand** for medium to large flat screens up to 55" / 40kg

**Floor Stand** for small to medium sized screens up to 47" / 36kg

© 2015 B-Tech Professional. Design & Manufacture of B-Tech Professional AV Mounts. All rights reserved. The information in this specification is subject to change without notice. B-Tech Professional and B-Tech are registered trademarks of B-Tech Professional Design & Manufacturing Limited. We reserve the right to change the technical or physical specifications without notice. This B-Tech Professional AV Mount is designed and manufactured in the United Kingdom. B-Tech Professional is not liable for loss or damage caused by improper installation or mounting on unsuitable structures. Any reproduction or retransmission or replication of any part of this specification is strictly prohibited unless prior written permission has been granted by B-Tech Professional Design & Manufacturing Limited. E&OE.

SS-V1-BT8571-200921