

### Universal Flat Screen Wall Mount with Tilt

For more information please visit [www.btechavmounts.com/BT8431](http://www.btechavmounts.com/BT8431)

**BT8431**

Registered Design Number: 001713280-0035



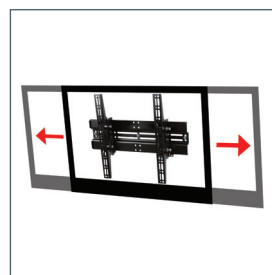
### BT8431 Universal Flat Screen Wall Mount With Tilt

Designed for med/large screens up to 50" (127cm) / 35kg (77lbs)

- Fits screens with mounting patterns up to H: 465mm (18.3") x V: 400mm (15.7") including VESA® fixings up to 400 x 400mm
- Simple tilt adjustment +/-18°
- Mounts screen only 80mm (3.1") from wall
- Unique 'Torsion Tilt' mechanism\*
- Locking bars included for secure installation
- Features 'OWLS'™ On Wall Levelling System
- Suitable for concrete / brick or up to 16" stud walls
- Security locking screws, Allen key and locking bar provided for secure installation
- Simple 'hook-on' installation with all mounting hardware included
- Available in Black



Unique 'Torsion Tilt' mechanism\*  
\*Patent Pending



Post installation screen alignment



Security locking bar (Padlock not included)



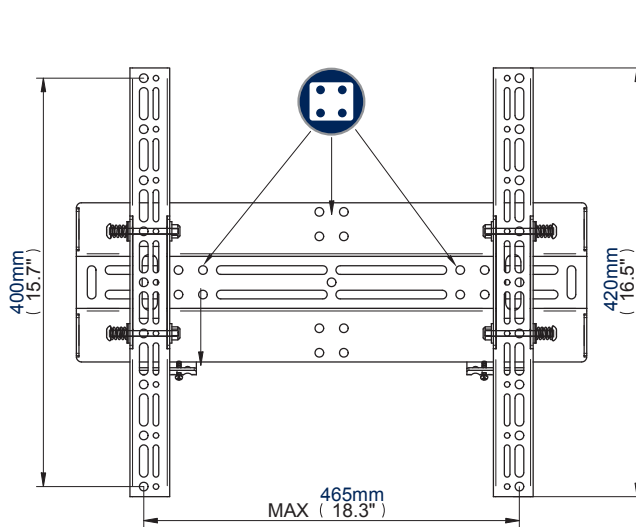
Comprehensive screen mounting kit

# Universal Flat Screen Wall Mount with Tilt

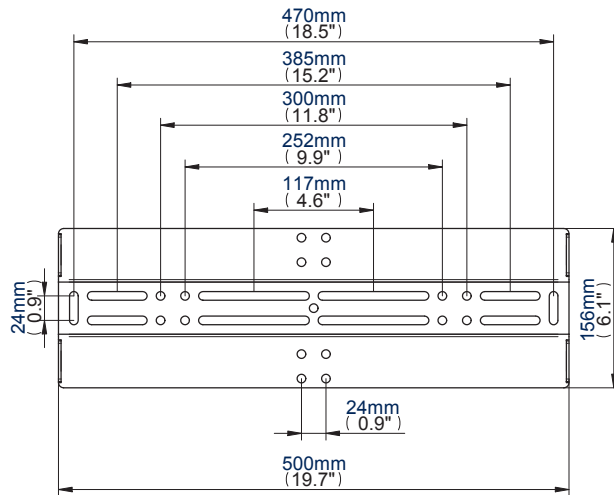
For more information please visit [www.btechavmounts.com/BT8431](http://www.btechavmounts.com/BT8431)

**BT8431**

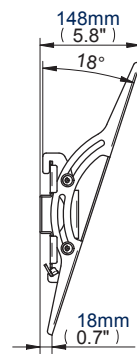
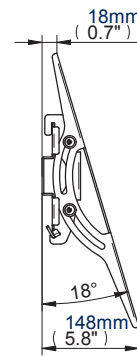
Registered Design Number: 001713280-0035



**Front View**



**Wall Plate**



**Side Views**

Colour:	Order Ref:	EAN Code:	Master Carton Qty:	Inner Carton Qty:	Master Carton Weight:	Master Carton Cube:
Black	BT8431/B	50191318084270	2	0	8.6kg (18.92lbs)	0.031cbm (1.12cuft)

**This information is intended as a guide only and reflects the current specification at the time of print.  
B-Tech accepts no liability for the accuracy of the information contained in this document.**